

Panasonic®

Ceiling Mount Bracket Operating Instructions

Model No. **WV-Q168**

Before attempting to connect or operate this product, please read these instructions carefully and save this manual for future use.

No model number suffix is shown in this manual.

NM0107-0 3TR004927AAA Printed in Japan

Features

This ceiling embedded bracket is exclusively designed to mount the Camera, WV-CF284 or WV-CF294, on a ceiling. This ceiling mount bracket is the embedding type so that the camera body will be dwarfed. This bracket is an embedded type to reduce the exposed portion of the camera body.

Precautions

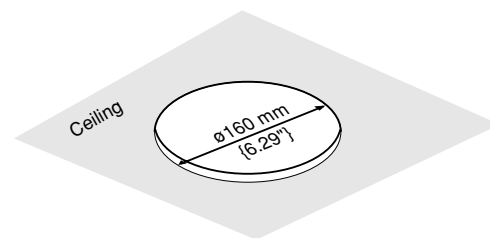
- **Refer installation work to the dealer.**
Installation work requires technique and experiences. Failure to observe this may cause fire, electric shock, injury, or damage to the product.
 - Be sure to consult the dealer.
- **Use only the specified camera.**
Failure to observe this may cause a fall of an inappropriate camera resulting in injury or accidents.
 - Mount WV-CF284 or WV-CF294 on this bracket exclusively.
- **Select an installation area that can support the total weight.**
If a selected area is too weak to support the total weight, a fall of the product may occur resulting in injury.
 - Installation work shall be started after sufficient reinforcement.
- **Avoid installing this bracket in the locations where salt damage occurs or corrosive gas is produced.**
Otherwise, the mounting portions will deteriorate and accidents such as a fall of the camera may occur.
- **The screws and fixation mechanisms shall be tightened securely.**
Failure to observe this may cause a fall of the camera resulting in injury.
- **Periodic inspections shall be conducted.**
Rust on the metal parts or screws may cause a fall of the product resulting in injury.
 - Consult the dealer for the inspections.
- **Do not rub the edges of metal parts with your hand.**
Failure to observe this may cause injury.
- Make sure that the installation area is strong enough to hold the total weight of the camera assembly (approx. 0.8 kg {1.76 lbs.}) before installation.
- The ceiling mount bracket can be installed only when there is a space whose height is 80 mm or more above a ceiling board.
- The ceiling mount bracket can be installed on a ceiling board whose thickness is 30 mm or less.
- The camera and the ceiling mount bracket should be fixed using the provided fixing screws, and make sure that the both of them are fixed firmly.
- When the ceiling mount bracket is not necessary anymore, remove from the ceiling.
- Avoid installing in the following locations.
 - Locations where it may get wet from rain or water splash (not only outdoor)
 - Locations where a chemical agent is used such as a swimming pool
 - Locations subject to steam and oil smoke such as a kitchen
 - Locations where radiation or x-ray emissions are produced
 - Locations where it may be damaged by briny air such as seashores
 - Locations where the temperature is not within -10 °C to +50 °C {14 °F to 122 °F}.
 - Locations subject to vibrations (This product is not designed for on-vehicle use.)
 - Locations where the temperature may rapidly change such as the peripheral areas of the air outlets of air conditioners or doors facing outside. (In case of installing the camera in such locations, the dome cover may become foggy or condensation may be caused on the cover.)
- The screws and bolts must be tightened with an appropriate tightening torque according to the material and strength of the installation area. After tightening the screws or bolts, perform visual check to ensure tightening is enough and there is no backlash.

Installations

Be sure to read "Precautions" before installation. It is recommended to read them while referring the operating instructions of the camera together.

1. Make a hole of 160 mm {6.29"} diameter using a specialized tool, etc.

When it is impossible to make a precise hole since no specialized tool is at hand or when it is impossible to use it because of the location, trace the hole shape using the provided template.

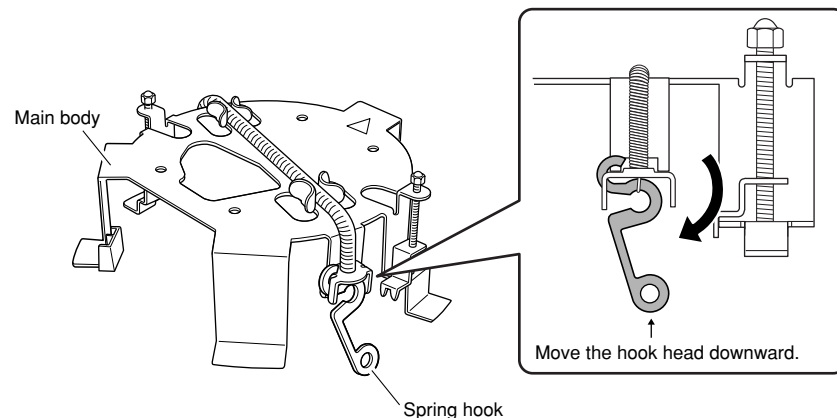


Important:

- Make a hole precisely. When the opened hole is bigger or deformed too much, the ceiling mount bracket cannot be stuck on the ceiling board securely.

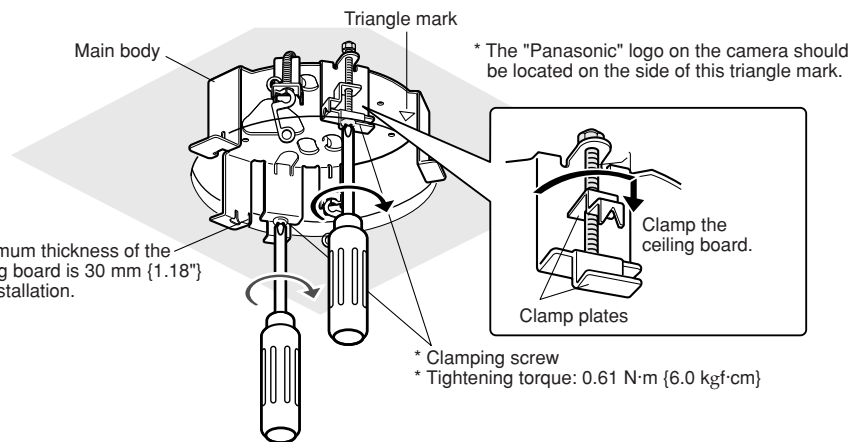
2. Position two of the spring hooks of the camera as shown in the illustration below.

When the ceiling mount bracket is installed after positioning them in the opposite side, they may become hard to pull out.



3. Fix the ceiling mount bracket onto the ceiling board.

Loosen the clamping screws until the length between the clamp plates becomes wider than the thickness of the ceiling board, and then clamp the ceiling board by tightening the clamping screws.



Important:

- When the ceiling board is the plasterboard, make sure that no crack was made on the ceiling board by clamping.

4. Connect the video cable and the power cord to the camera.

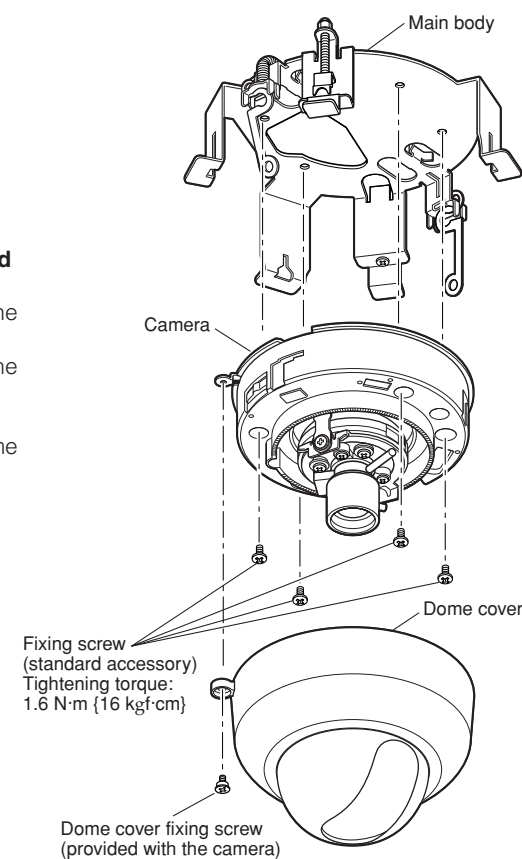
Refer to the operating instructions of the camera.

5. Fix the camera using four fixing screws (provided).

6. Attach the dome cover to the camera and adjust the angular field of view.

(Refer to the operating instructions of the camera.)

- ① Adjust the angular field of view and the focus.
- ② Attach the dome cover to the camera.
- ③ Fix the dome cover using the dome cover fixing screw.



(To be continued reverse page)

Installations (continued)

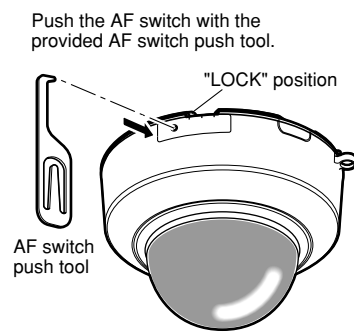
7. According to your need, set the auto focus adjustment.

Auto focus adjustment becomes available by pushing the AF switch when the model in use is the WV-CF294 series.

When the model in use is the WV-CF294 series, do the following to use the auto focus function.

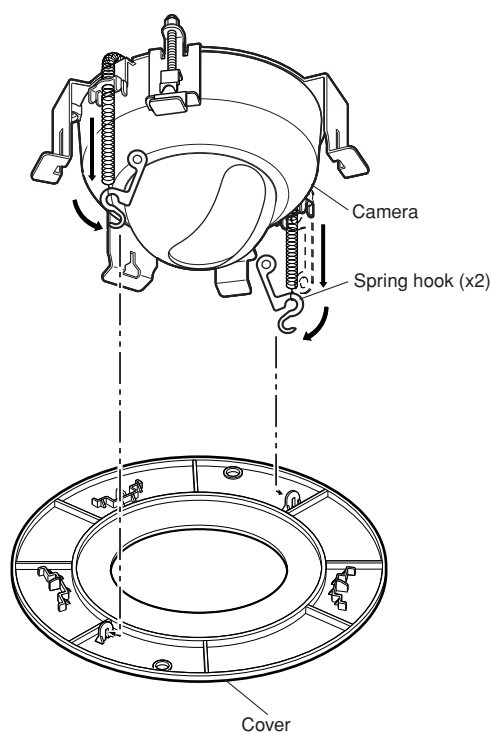
Refer to the operating instructions of the camera for further information.

Auto focus adjustment becomes available by pushing the AF switch with the provided AF switch push tool even after mounting the dome cover. In such a case, the direction of the camera and the presence of the object should be checked beforehand because visual check is not available on the monitor.



8. Attach the cover.

Pull out both the spring hooks and attach the hooks to the cover. Make sure that the cover is attached to the ceiling with no space between them.



* Match the "Panasonic" logos on the cover and on the main body of the camera.

Specifications

Ambient temperature: -10 °C to +50 °C {14°F - 122°F}
Dimensions: ø186 mm {7.31"} embedding depth of 60 mm {2.36"}
Weight: Approx. 280 g {0.62 lbs.}

Standard Accessories

Operating instructions (this document)..... 1 pc.
AF switch push tool 1 pc.

The following are for installation.

Fixing screw (M4 x 8) 6 pcs. (incl. 2 spare screws)
Template (for tracing the hole shape) 1 sheet

For U.S., Canadian and Puerto Rican fields:

Panasonic System Solutions Company,
Unit Company of Panasonic Corporation of North America

Security Systems
www.panasonic.com/security
For customer support, call 1.877.733.3689

Executive Office: Three Panasonic Way 2H-2, Secaucus,
New Jersey 07094

Zone Office

Eastern: Three Panasonic Way, Secaucus, New Jersey 07094
Central: 1707 N. Randal Road, Elgin, IL 60123
Southern: 1225 Northbrook Parkway, Suwanee, GA 30024
Western: 6550 Katella Ave., Cypress, CA 90630

Panasonic Canada Inc.

5770 Ambler Drive, Mississauga,
Ontario, L4W 2T3 Canada (905)624-5010
http://www.panasonic.ca

Panasonic Sales Company

Division of Panasonic Puerto Rico Inc.
San Gabriel Industrial Park 65th Infantry Ave. KM. 9.5 Carolina
P.R. 00985(809)750-4300

For European and other fields:

Matsushita Electric Industrial Co., Ltd.

Osaka, Japan
http://panasonic.net